

FEATURES

Solid brass construction
 Aerated water flow
 Drain not included
 Rough-in not included, order **#83029**

FINISHES

Standard
 Polished chrome (pc)
 Brushed nickel (bn)
 Electro black (ebk)
 Brushed gold (bgd)

Custom finishes available

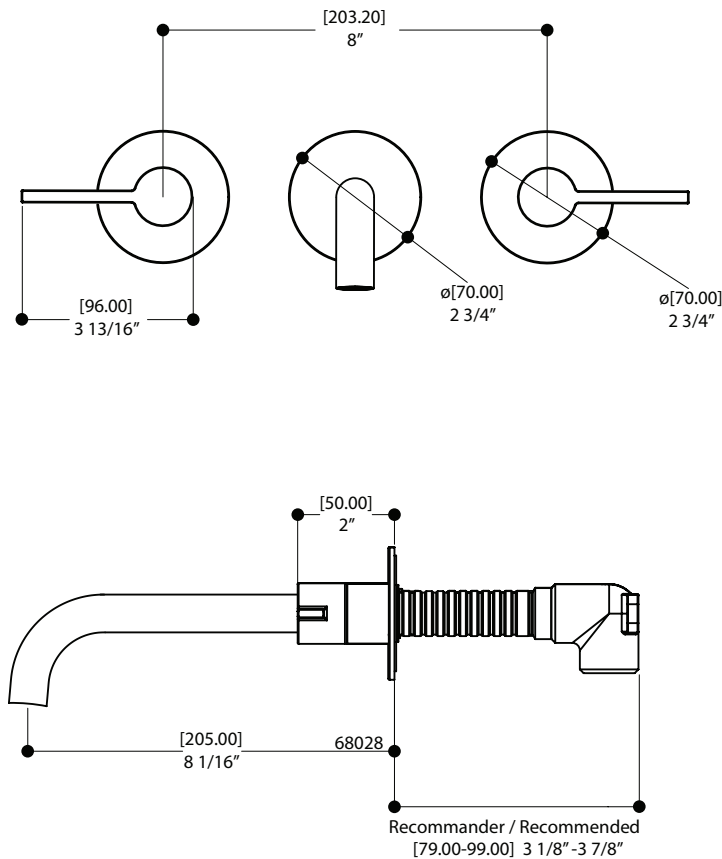
WARRANTY

Residential: Limited lifetime warranty to original purchaser
 Commercial: Two years warranty
 (Complete warranty available at www.aquabrace.com/warranty)

SPECS AT LARGE

Overall spout projection: 8"
 CC spout projection: 8 1/16"
 Total spout height: 2 3/4"

Flow rate: 2.2 gpm
 Mounting hole: 1 3/8"
 Counter depth: 1 3/8"



Aquabrace cannot be held responsible for any technical or typographical errors or omissions contained within this document and reserves the right to make changes without prior notice.

Last revision: 17/03/2023