

AQUABRASS Town of Mount Royal 15084

florrmount tub filler with handshower



FEATURES

Solid brass construction
Crystal clear water flow
Handshower with 5' reinforced PVC hose
Pull-button diverter on the side of the spout
1/2" connection

FINISHES

Standard
Polished chrome (pc)
Electro black (ebk)
Brushed gold PVD (bgvd)

WARRANTY

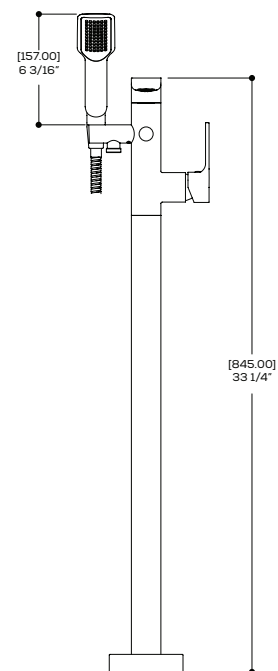
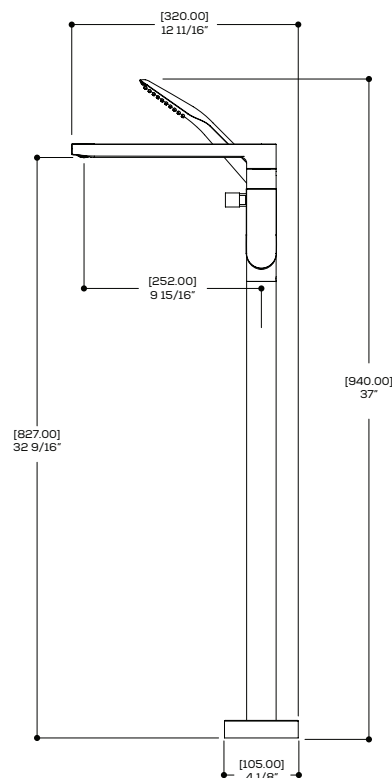
Residential: Limited lifetime warranty to original purchaser
Commercial: Two years warranty
(Complete warranty available at www.aquabress.com/warranty)

CODE & COMPLIANCE



SPECS AT LARGE

Overall spout projection: 12 11/16" Flow rate (tub filler): 4.5 gpm
CC spout projection: 9 15/16" Flow rate (handshower): 2.5 gpm
Total faucet height: 37" Mounting hole: 1 3/8"



Aquabress cannot be held responsible for any technical or typographical errors or omissions contained within this document and reserves the right to make changes without prior notice.

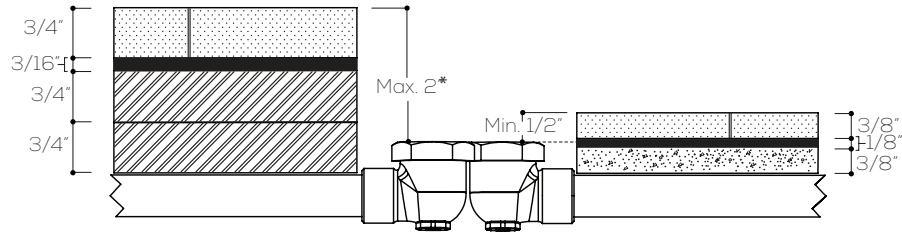
Last revision: 07/15/2020

aquabress.com

AQUABRASS

"EASY FIT"

a job-site friendly installation system

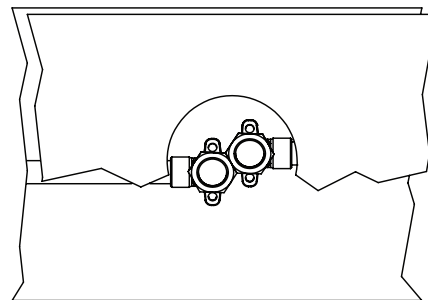
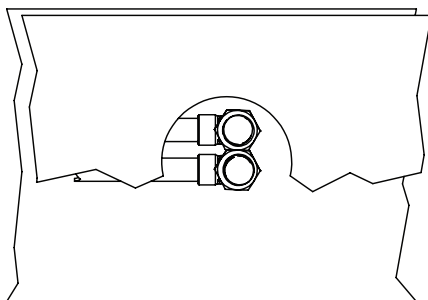
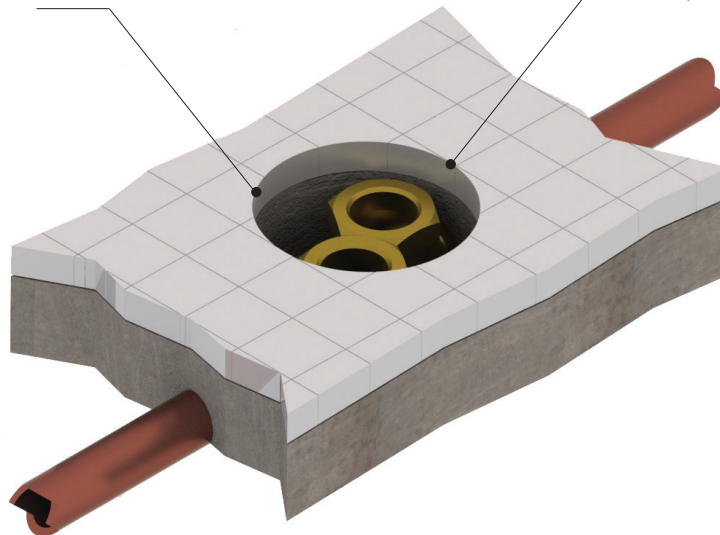


* If set deeper, use commercially available standard male-female extension.

* Si installé plus profondément, utiliser une extension mâle-femelle standard.

Ouverture recommandée:
 $\varnothing \geq 1\frac{1}{2}$ " ou moins

Recommended opening:
 $\varnothing \geq 1\frac{1}{2}$ " or less



Optimize your rough configuration for a minimum C-C between hot & cold inlets (see examples). The orientation of the pair of supply connections is independent from the final spout position.

Optimiser la configuration du brut pour minimiser le C-C entre l'entrée de l'eau chaude et froide. L'orientation des alimentations n'a aucun impact sur la direction finale du bec.