



## FEATURES

- Solid brass construction
- Single volume and temperature lever control
- Cascading water flow
- Press pop-up drain with overflow # ABDR00699
- Ceramic cartridge # ABCA07799
- 3/8" connection
- 18" stainless steel braided supply hose

## FINISHES

- Standard polished chrome (pc)

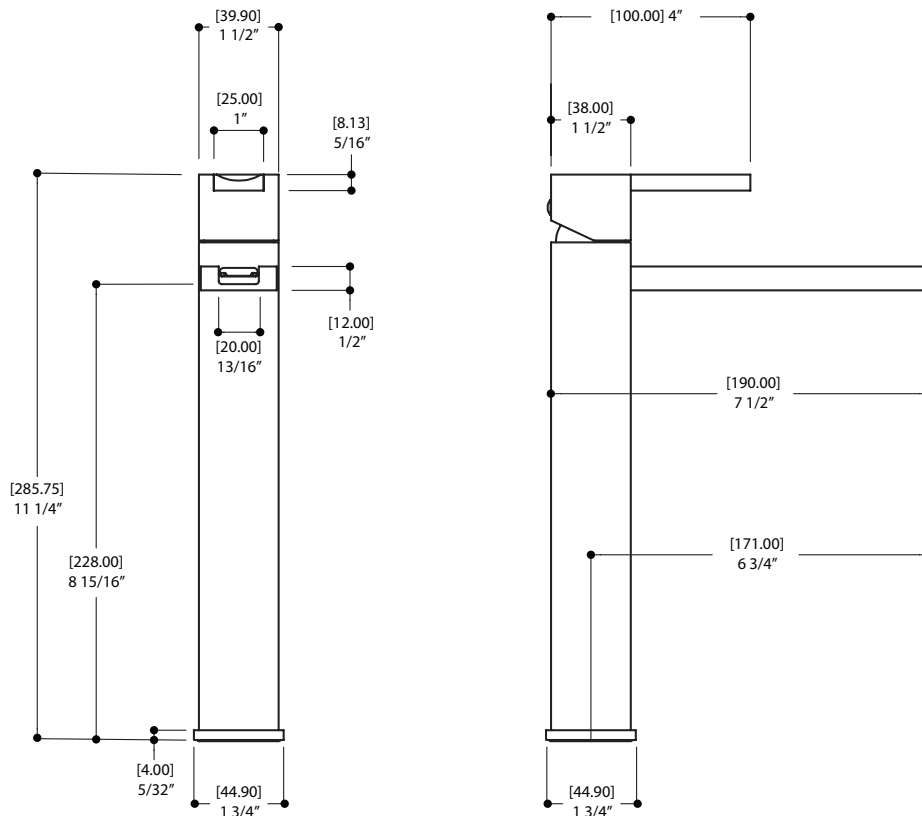
## WARRANTY

- Residential: Limited lifetime warranty to original purchaser
- Commercial: Two years warranty
- (Complete warranty available at [www.aquabress.com/warranty](http://www.aquabress.com/warranty))

## SPECS AT LARGE

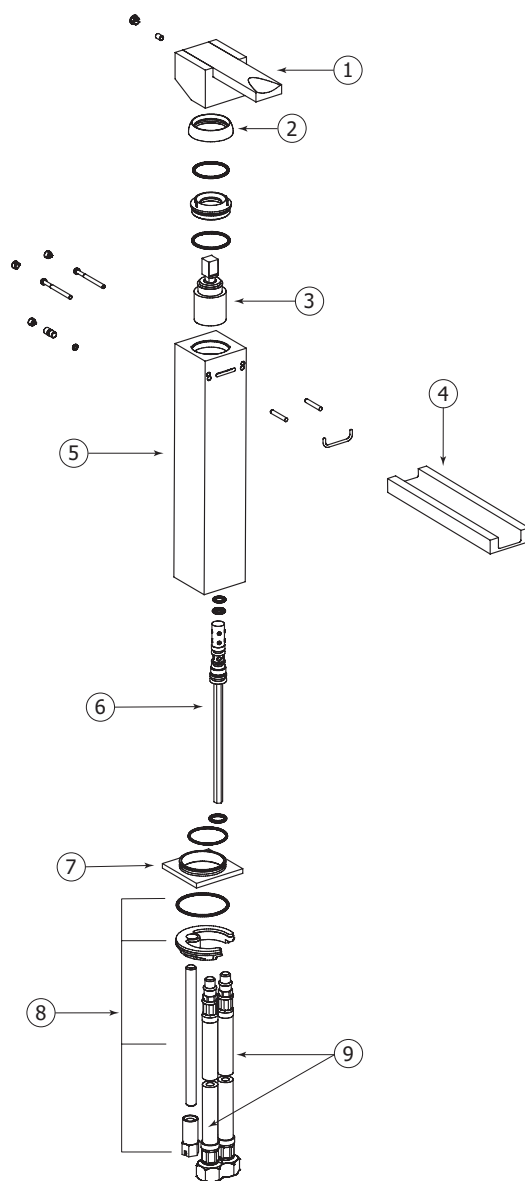
Overall spout projection: 7 1/2"  
 CC spout projection: 6 3/4"  
 Total faucet height: 11 1/4"

Flow rate: 2 gpm  
 Mounting hole: 1 3/8"  
 Counter depth: 1 3/8"



Aquabress cannot be held responsible for any technical or typographical errors or omissions contained within this document and reserves the right to make changes without prior notice.

## EXPLOSION PARTS



Item	Code	Description
1	ABFC77373	Handle
2	ABFC77398	Handle retainer kit
3	ABCA07799	Cartridge
4	ABFC77320	Spout
5	ABFC77363	Faucet body

Item	Code	Description
6	ABFP77395	Moulded connection rod
7	ABFC77394	Faucet base
8	ABFP77399	Retainer kit
9	ABFH07796	Water hoses

Aquabress cannot be held responsible for any technical or typographical errors or omissions contained within this document and reserves the right to make changes without prior notice.